



PRODUCT CHANGE NOTIFICATION (PCN)

ISSUE DATE: 25/4/2022
MODIFICATION / REVISION DATE: 25/4/2022

A-MCSP-80005/R MODULAR CABLE

CHANGE NOTIFICATION: PCN 20220425_A-MCSP-80005/R

DESCRIPTION OF CHANGES: CHANGE OF DATA SHEET
CHANGE OF DATA SHEET
New Draw.-No. ASS_7425_CArev07

REASON FOR CHANGE: CHANGE OF PRODUCT LOCATION
CHANGE OF PRODUCT LOCATION

KEY CHARACTERISTICS OF CHANGE: Details see page 3

PRODUCTS AFFECTED: A-MCSP-80005/R

DATE OF CHANGE AND IMPLEMENTATION: CHANGE: WEEK 18 / YEAR 2022
IMPLEMENTATION: 25/4/2022

RESPONSE: NO RESPONSE TO THIS NOTIFICATION IS REQUIRED

PCN REVISION HISTORY:

DATE OF REVISION: 25/4/2022

REVISION NUMBER: 00

page 1/



Auf dem Schüffel 1
 D-58513 Lüdenscheid
 Tel.: +49-2351 - 554-200
 Fax +49 (2351) 554-861
 info@assmann-wsw.com
 www.assmann-wsw.com

PRODUCT CHANGE NOTIFICATION (PCN)

ISSUE DATE: 25/4/2022
 MODIFICATION / REVISION DATE: 25/4/2022

A-MCSP-80005/R	OLD VERSION	A-MCSP-80005/R	NEW VERSION																																																	
<p>Appearance</p>		<p>Appearance</p>																																																		
<p>BOM</p> <table border="1"> <thead> <tr> <th>NO</th> <th>PART NO</th> <th>DESCRIPTION</th> <th>QTY</th> <th>UNIT</th> </tr> </thead> <tbody> <tr> <td>3</td> <td>mold</td> <td>PVC,50P</td> <td>9.0</td> <td>G</td> </tr> <tr> <td>2</td> <td>plug</td> <td>8P8C plating gold 3U* with metal shield</td> <td>2</td> <td>PCS</td> </tr> <tr> <td>⑤ 1</td> <td>cable</td> <td>FTP (26AWG*1P)*4+D+A+PVC, OD:5.2±0.2mm CAT5E</td> <td>2.0</td> <td>M</td> </tr> </tbody> </table>		NO	PART NO	DESCRIPTION	QTY	UNIT	3	mold	PVC,50P	9.0	G	2	plug	8P8C plating gold 3U* with metal shield	2	PCS	⑤ 1	cable	FTP (26AWG*1P)*4+D+A+PVC, OD:5.2±0.2mm CAT5E	2.0	M	<p>BOM</p> <table border="1"> <thead> <tr> <th>NO</th> <th>PART NO</th> <th>DESCRIPTION</th> <th>QTY</th> <th>UNIT</th> </tr> </thead> <tbody> <tr> <td>⑦</td> <td>⚠</td> <td>AL-Foil</td> <td>Double-sided conductive aluminum foil</td> <td>2</td> <td>PCS</td> </tr> <tr> <td>⑦</td> <td>⚠</td> <td>mold</td> <td>PVC,65P</td> <td>AR</td> <td>G</td> </tr> <tr> <td></td> <td>⚠</td> <td>plug</td> <td>8P8C plating gold 3U* with metal shield</td> <td>2</td> <td>PCS</td> </tr> <tr> <td>⑦⑤</td> <td>⚠</td> <td>cable</td> <td>CAT5E F/UTP (26AWG*1P)*4+D+A+PVC, OD:5.2±0.2mm</td> <td>AR</td> <td>M</td> </tr> </tbody> </table>		NO	PART NO	DESCRIPTION	QTY	UNIT	⑦	⚠	AL-Foil	Double-sided conductive aluminum foil	2	PCS	⑦	⚠	mold	PVC,65P	AR	G		⚠	plug	8P8C plating gold 3U* with metal shield	2	PCS	⑦⑤	⚠	cable	CAT5E F/UTP (26AWG*1P)*4+D+A+PVC, OD:5.2±0.2mm	AR	M
NO	PART NO	DESCRIPTION	QTY	UNIT																																																
3	mold	PVC,50P	9.0	G																																																
2	plug	8P8C plating gold 3U* with metal shield	2	PCS																																																
⑤ 1	cable	FTP (26AWG*1P)*4+D+A+PVC, OD:5.2±0.2mm CAT5E	2.0	M																																																
NO	PART NO	DESCRIPTION	QTY	UNIT																																																
⑦	⚠	AL-Foil	Double-sided conductive aluminum foil	2	PCS																																															
⑦	⚠	mold	PVC,65P	AR	G																																															
	⚠	plug	8P8C plating gold 3U* with metal shield	2	PCS																																															
⑦⑤	⚠	cable	CAT5E F/UTP (26AWG*1P)*4+D+A+PVC, OD:5.2±0.2mm	AR	M																																															
<p>FOR DETAIL, PLEASE TAKE ATTACHED NEW DRAWING: FOR REFERENCE</p>																																																				

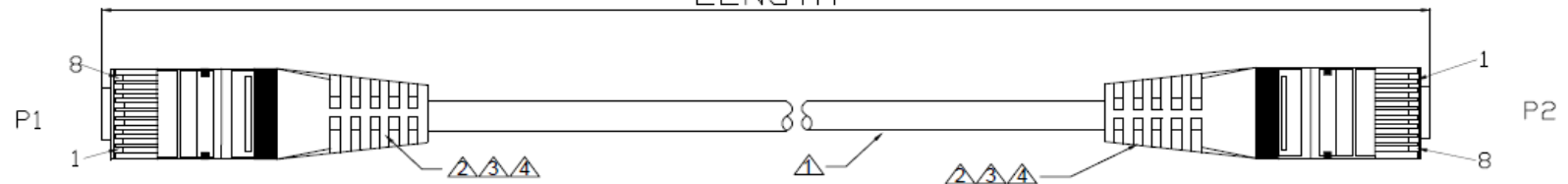
PCN REVISION HISTORY:

DATE OF REVISION: 25/4/2022

REVISION NUMBER: 00

1 2 3 4 5 6 7

LENGTH



Order Code:

① A-MCSP-80XXX : color Grey

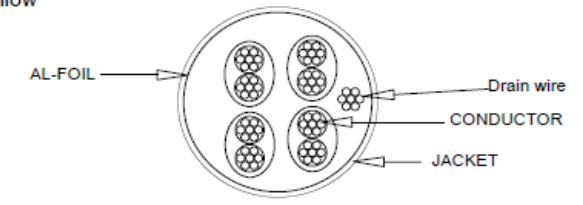
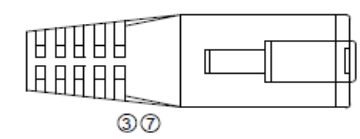
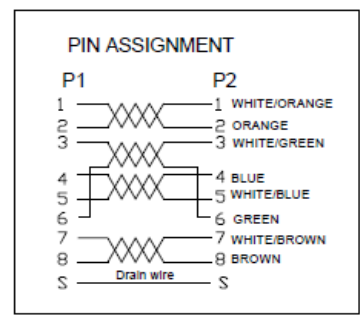
④② Order lengths in meter: 0.3,0.5,1,2,3,5,7,10,15,20,30

A-MCSP-80XXX/X

④② Order lengths in meter: 0.3,0.5,1,2,3,5,7,10,15,20,30
Order color:(R)Red,(Y)Yellow (G)Green,(B)Blue

⑥② TOLERANCE

Length(meter)	Max-M	Min-M
0.3	+0.03	-0.025
0.5	+0.03	-0.025
1	+0.04	-0.035
2	+0.06	-0.06
3	+0.09	-0.09
5	+0.15	-0.15
7	+0.21	-0.21
10	+0.3	-0.3
15	+0.45	-0.45
20	+0.6	-0.6
30	+0.9	-0.9



Electrical
100% short,open,miswire test

NO	PART NO	DESCRIPTION	QTY	UNIT
⑦	④	AL-Foil Double-sided conductive aluminum foil	2	PCS
⑦	④	mold PVC,65P	AR	G
⑦	④	plug 8P8C plating gold 3U* with metal shield	2	PCS
⑦⑤	④	cable CAT5E F/UTP (26AWG*1P)*4+D+A+PVC, OD:5.2±0.2mm	AR	M

RoHS compliant
Unit:: mm

Scale	FREE	⑦	Change the plant	12.04.2022	Luca	Date	Name	Customer-No.
TOLERANCE		⑥	Clarify the tolerance	23.08.2018	Segal	26.06.2015	Joanna	ASSMANN WSW-No. A-MCSP-80XXX/X
X.	±X	⑤	Add "CAT5E"	20.10.2017	Stephon	12.04.2022	Luca	
X.X	±X	④	Add length for 20M and 30M	20.09.2017	Fred			
X.XX	±X	③	remove mark on the mould	29.06.2016	Joanna			
DIM	TOL	②	Add length for 300mm	18.05.2015	Joanna			Drawing-No.
ANGLE	±X°							ASS 7425 CA
Angle	TOL	Id.	Modification	Date	Name			rev07
								Sheet



1 2 3 4 5 6 7